



**For connecting different sizes and types of pipe**

## Style 62 & 162 Reducing/Transition Couplings

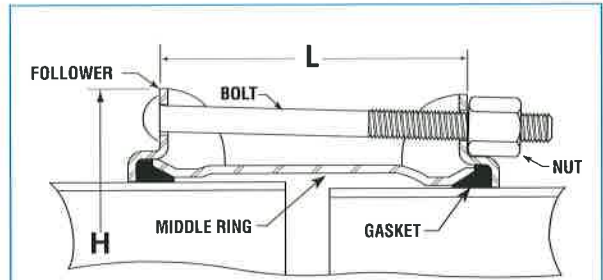
### Dresser Style 62 Reducing Couplings

are ideal for (1) when making actual reductions in pipe size; (2) when changing the class of pipe; and (3) when joining steel and cast iron pipe. They can be supplied for connections between any two kinds or sizes of pipe.

**Type I Reducing Couplings** are for reductions where the differences in pipe diameters is small, as from standard cast iron to steel of the same nominal size.

Standard Style 38 parts are used except the middle ring is swaged on one end.

**Type II Reducing Couplings** are for larger and special reductions outside the range of Type I. They are made from Style 38 parts with anchor rings welded to the middle ring. Two sets of bolts are supplied.



**Style 62 and 162 Coupling Dimensions**  
(See Spec Charts on Page 14)

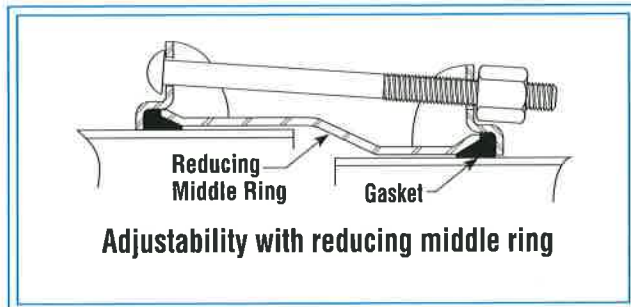
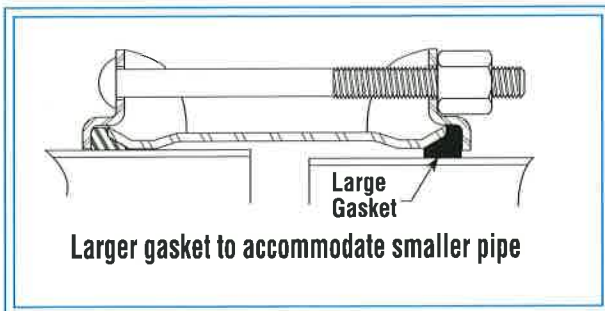
## Style 162 Transition Couplings... For joining pipe of different diameters

The **Dresser Style 162 Transition Coupling** permits you to connect two different kinds of pipe or sizes of pipe. You simply select the correct coupling for the pipe diameters being joined. The drawings at right illustrate how gaskets of different cross-sections adjust the coupling to your requirement. Further adjustment is accomplished with reducing middle-ring couplings.

### Materials of Construction

<b>Followers:</b>	AISI C1012 or ASME SA36
<b>Middle Ring:</b>	ASTM A513, ASTM A635 or ASME SA675 GR60
<b>Bolts:</b>	AWWA C 111/ANSI A21.11
<b>Gaskets:</b>	Grade 27 BUNA S
<b>Coating:</b>	Fusion-Bonded Epoxy Powder; Optional Shopcoat

## Style 162 Transition Couplings Features...



**SIZE SPECIFICATIONS:** See [Style 62 and 162 Size Specification Charts on Page 14](#)

**NOTE:** Style 39-62 Insulating-Reducing couplings are also available for joining pipes of different O.D.'s and dissimilar metals such as cast-iron x steel connections.

## Style 62 Reducing Couplings

### Style 62 Type 1 Sizes and Specifications for Steel and CIP

Nominal Size Inches	Outside Diameter Cast-Iron (Inches)	Outside Diameter Steel (Inches)	Middle Ring Thickness & Length	Bolts <sup>1</sup> No./Diam. & Length	Overall Dimensions		Approx. Shipping Weight (Lbs.)
					Diam. (H)	Length (L)	
3	3.74 - 4.02	3.500	.188 x 5	4-5/8 x 8-1/4	7-3/4	9-1/2	16
4	4.74 - 5.06	4.000	.229 x 7	4-5/8 x 10-3/4	9	11-7/8	23
4	4.74 - 5.06	4.500	.229 x 7	4-5/8 x 10-3/4	9	11-7/8	25
6	6.84 - 7.16	6.000	1/4 x 7	6-5/8 x 10-3/4	11-3/4	11-7/8	27
6	6.84 - 7.16	6.625	1/4 x 7	6-5/8 x 10-3/4	11-3/4	11-7/8	27
8	8.99 - 9.36	8.000	1/4 x 7	6-5/8 x 10-3/4	13-1/4	11-7/8	34
8	8.99 - 9.36	8.625	1/4 x 7	6-5/8 x 10-3/4	13-1/4	11-7/8	36
10	11.04 - 11.46	10.750	3/8 x 7	8-5/8 x 10-3/4	15-9/16	11-7/8	58
12	13.14 - 13.56	12.750	3/8 x 7	8-5/8 x 10-3/4	17-3/4	11-7/8	83
14	15.300	14.000	3/8 x 7	8-5/8 x 10-3/4	19-5/16	11-7/8	85
16	17.400	16.000	3/8 x 7	10-5/8 x 10-3/4	21-3/8	11-7/8	89
16	17.800	16.000	3/8 x 7	10-5/8 x 10-3/4	22-13/16	11-7/8	103
18	19.500	18.000	3/8 x 7	10-5/8 x 10-3/4	23-1/2	11-7/8	117
20	21.600	20.000	3/8 x 7	12-5/8 x 10-3/4	25-5/8	11-7/8	127
20	22.060	20.000	3/8 x 7	12-5/8 x 10-3/4	27-1/16	11-7/8	131
24	25.800	24.000	3/8 x 7	14-5/8 x 10-3/4	29-13/16	11-7/8	162
24	26.320	24.000	3/8 x 7	14-5/8 x 10-3/4	31-5/16	11-7/8	168

## Style 162 Transition Couplings

### Style 162 Sizes and Specifications for Steel and CIP

Nominal Size Inches	Outside Diameter Range (Inches)	Middle Ring Thickness & Length	Bolts <sup>1</sup> No./Diam. & Length	Overall Dimensions		Approx. Shipping Weight (Lbs.)
				Diam. (H)	Length (L)	
4	4.74 - 5.06 x 4.46 - 4.54	.229 x 5	4-5/8 x 10-3/4	9	11-7/8	16
	5.06 - 5.42 x 4.46 - 4.54	.229 x 5	4-5/8 x 10-3/4	9	11-7/8	16
6	6.84 - 7.16 x 6.84 - 7.16	1/4 x 5	6-5/8 x 10-3/4	11-3/4	11-7/8	21
	7.15 - 7.45 x 7.15 - 7.45	1/4 x 5	6-5/8 x 10-3/4	11-3/4	11-7/8	21
	7.15 - 7.45 x 6.84 - 7.16	1/4 x 5	6-5/8 x 10-3/4	13-1/4	11-7/8	21
	6.84 - 7.16 x 6.61 - 6.69	1/4 x 5	6-5/8 x 10-3/4	13-1/4	11-7/8	21
	7.15 - 7.45 x 6.61 - 6.69	1/4 x 5	8-5/8 x 10-3/4	15-9/16	11-7/8	21
8	8.99 - 9.22 x 8.99 - 9.22	3/8 x 5	8-5/8 x 10-3/4	17-3/4	11-7/8	29
	9.24 - 9.52 x 9.24 - 9.52	3/8 x 5	8-5/8 x 10-3/4	19-5/16	11-7/8	29
	9.45 - 9.70 x 9.45 - 9.70	3/8 x 5	10-5/8 x 10-3/4	21-3/8	11-7/8	29
	9.24 - 9.52 x 8.99 - 9.22	3/8 x 5	10-5/8 x 10-3/4	22-13/16	11-7/8	29
	9.45 - 9.70 x 8.99 - 9.22	3/8 x 5	10-5/8 x 10-3/4	23-1/2	11-7/8	29
	9.45 - 9.70 x 9.24 - 9.52	3/8 x 5	12-5/8 x 10-3/4	25-5/8	11-7/8	29
	8.99 - 9.22 x 8.61 - 8.69	3/8 x 5	12-5/8 x 10-3/4	27-1/16	11-7/8	30
	9.24 - 9.52 x 8.61 - 8.69	3/8 x 5	14-5/8 x 10-3/4	29-13/16	11-7/8	30
	9.24 - 9.70 x 8.61 - 8.69	3/8 x 5	14-5/8 x 10-3/4	31-5/16	11-7/8	30
10	11.34 - 11.73 x 11.04 - 11.46	3/8 x 5	14-5/8 x 10-3/4	31-5/16	11-7/8	32
	11.34 - 11.73 x 11.34 - 11.73	3/8 x 5	14-5/8 x 10-3/4	31-5/16	11-7/8	32
	11.87 - 12.24 x 11.04 - 11.46	3/8 x 7	14-5/8 x 10-3/4	31-5/16	11-7/8	50
	11.87 - 12.24 x 10.73 - 10.81	3/8 x 7	14-5/8 x 10-3/4	31-5/16	11-7/8	50
12	14.13 - 14.51 x 12.72 - 12.84	3/8 x 7	14-5/8 x 10-3/4	31-5/16	11-7/8	58
	14.13 - 14.51 x 13.14 - 13.56	3/8 x 7	14-5/8 x 10-3/4	31-5/16	11-7/8	58

1- Bolts - Furnished E-coated steel as standard.

Gasket - Information appears on Page 20.