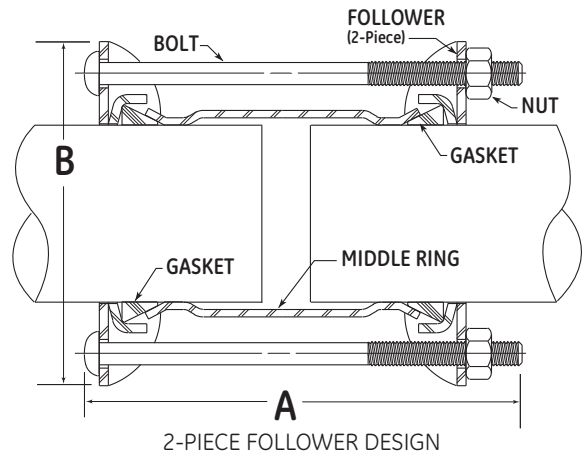


PRODUCT SUBMITTAL

DRESSER Style 38 Couplings 1/2" thru 6"

Style 38 Materials of Construction	
Followers:	AISI C1012 or ASME SA36 (Ductile Iron or Malleable Iron for 1/2" thru 1-1/2")
Middle Ring:	ASTM A513, ASTM A635 or ASME SA675 GR60
Bolts:	AWWA C 111/ANSI A21.11
Gaskets:	Grade 27 BUNA-S
Coating:	Fusion-Bonded Epoxy; Optional RED-D Shopcoat



Style 38 Coupling Specifications For Steel Pipe Sizes 1/2" thru 6"

Pipe Nominal Size (IN)	Outside Pipe Diameter (OD)	Middle Ring Thickness & Length (IN)	Bolts No./Diam. x Length (IN)	Gaskets Sec. Dimin. Thkns/Lngth. (IN)	Overall Dimensions		Working Pressure Lbs. per Sq.In.	Max. Test Pressure Lbs. per Sq.In.	Approx. Shipping Weight. (Lbs.)
					Length (A)	Diameter (B)			
1/2	.840	.156 x 3-1/2	2-1/2 x 6	9/32 x 9/16	6-1/2	3-1/2	1500	2250	2
3/4	1.050	.156 x 5	2-1/2 x 7-1/4	9/32 x 9/16	7-3/4	3-13/16	1500	2250	3
1	1.315	.148 x 5	2-1/2 x 7-1/4	9/32 x 9/16	7-3/4	4-1/16	1500	2250	4
1-1/4	1.660	.154 x 5	2-1/2 x 7-1/4	9/32 x 9/16	7-3/4	4-7/16	1500	2250	4
1-1/2	1.900	.165 x 5	2-1/2 x 7-1/4	11/32 x 5/8	7-3/4	4-3/4	1500	2250	5
2	*2.375	.156 x 4	2-1/2 x 7-1/4	3/8 x 3/4	7-3/4	5-3/8			4-1/2
2	2.375	.156 x 5	2-5/8 x 8-1/4	1/2 x 29/32	8-5/8	6	1500	2250	7
2	2.375	.156 x 5	3-5/8 x 8-1/4	1/2 x 29/32	8-5/8	6-1/4	1500	2250	10
2	2.375	.156 x 7	3-5/8 x 10-1/4	1/2 x 29/32	10-1/2	6-1/4	1500	2250	13
2-1/2	2.875	.180 x 5	3-5/8 x 8-1/4	1/2 x 29/32	8-5/8	7	1500	2250	13
3	*3.000	.180 x 4	2-1/2 x 6	3/8 x 7/8	7-1/4	6			6-1/2
3	*3.500	.156 x 4	3-1/2 x 6	3/8 x 7/8	7-1/4	6-1/2			7
3	3.500	.156 x 5	4-5/8 x 6	1/2 x 29/32	7-1/4	8	1100	1650	13.5
3	3.500	.156 x 7	4-5/8 x 8-1/4	1/2 x 29/32	8-5/8	8	1100	1650	17.5
3-1/2	*4.000	.134 x 4	3-1/2 x 6	3/8 x 7/8	7-1/4	7			7-1/2
3-1/2	4.000	.188 x 5	4-5/8 x 8-1/4	1/2 x 29/32	8-5/8	8-5/8	1500	2250	17
4	*4.500	.188 x 4	3-1/2 x 6	3/8 x 7/8	7-1/4	7-1/2			8
4	4.500	.188 x 5	4-5/8 x 6	1/2 x 29/32	7-1/4	9	1000	1500	16.5
4	4.500	.188 x 7	4-5/8 x 8-1/4	1/2 x 29/32	8-5/8	9	1000	1500	23.5
5	*5.500	3/4 x 4	4-1/2 x 6	3/8 x 7/8	7-1/4	8-1/2			10
5	5.500	1/4 x 5	4-5/8 x 8-1/4	1/2 x 29/32	8-5/8	9-5/8	1205	1808	23.5
5	*5.563	3/16 x 4	4-1/2 x 6	3/8 x 7/8	7-1/4	8-1/2			20
5	5.563	1/4 x 5	4-5/8 x 6	1/2 x 29/32	7-1/4	10-3/8	1205	1808	23.5
5	5.563	1/4 x 7	4-5/8 x 8-1/4	1/2 x 29/32	8-5/8	10-3/8	1205	1808	25
6	*6.000	.188 x 4	4-1/2 x 6	3/8 x 7/8	7-1/4	10-5/8			11
6	6.000	1/4 x 5	6-5/8 x 6	1/2 x 1	7-1/4	10-5/8	1126	1689	26.5
6	*6.625	3/16 x 4	4-1/2 x 6	3/8 x 7/8	7-1/4	9-5/8			22.5
6	6.625	1/4 x 5	6-5/8 x 6	1/2 x 1	7-1/4	11-1/4	1029	1544	25.5
6	6.625	1/4 x 7	6-5/8 x 8-1/4	1/2 x 1	8-5/8	11-1/4	1029	1544	31

*Light Pattern Coupling



imagination at work

GE Oil & Gas
Dresser Pipeline Solutions**
 41 Fisher Avenue
 Bradford, PA 16701
 p: 814.362.9200
 f: 814.362.9393

2014 General Electric Company
 All Rights Reserved
 **Trademark of General Electric Company

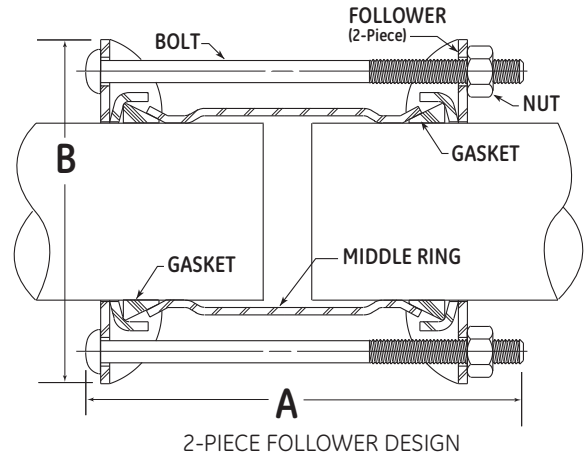
FORM GE.38S.2014

PRODUCT SUBMITTAL

DRESSER Style 38 Couplings 8" thru 48"

Style 38 Materials of Construction

Followers: AISI C1012 or ASME SA36
(Ductile Iron or Malleable Iron for 1/2" thru 1-1/2")
 Middle Ring: ASTM A513, ASTM A635 or ASME SA675 GR60
 Bolts: AWWA C 111/ANSI A21.11
 Gaskets: Grade 27 BUNA-S as Standard
 Coating: Fusion-Bonded Epoxy; Optional RED-D Shopcoat



Style 38 Coupling Specifications For Steel Pipe Sizes 8" thru 48"

Pipe Nominal Size (In)	Outside Pipe Diameter (OD)	Middle Ring Thickness & Length (A&B)	Bolts No./Diam. x Length (D&E)	Gaskets Sec. Dimin. Thkns/Lngth. (F&G)	Overall Dimensions		Working Pressure Lbs. per Sq.In.	Max. Test Pressure Lbs. per Sq.In.	Approx. Shipping Weight (Lbs.)
					Length (A)	Diameter (B)			
8	**8.000	3/4 x 4	5-1/2 x 6	3/8 x 7/8	7-1/4	11	-	-	15
8	8.000	1/4 x 5	6-5/8 x 8-1/4	1/2 x 1	8-3/4	11-7/8	866	1299	31
8	**8.625	3/16 x 4	6-1/2 x 6	3/8 x 7/8	7-1/4	11-5/8	-	-	16
8	8.625	1/4 x 5	6-5/8 x 8-1/4	1/2 x 1-1/16	8-3/4	8-5/8	807	1211	32
8	8.625	1/4 x 7	6-5/8 x 10-3/4	1/2 x 1-1/16	11-1/8	13-1/4	807	1211	38
10	10.000	1/4 x 5	8-5/8 x 8-1/4	1/2 x 1	8-5/8	13-7/8	703	1055	39
10	10.750	1/4 x 5	8-5/8 x 8-1/4	1/2 x 1-1/16	8-5/8	14-5/8	657	986	40
10	10.750	1/4 x 7	8-5/8 x 10-3/4	1/2 x 1-1/16	11-1/8	14-5/8	657	986	49
10	10.750	3/8 x 7	8-5/8 x 10-3/4	1/2 x 1-3/16	11-1/8	14-5/8	813	1220	53
12	12.000	1/4 x 7	8-5/8 x 10-3/4	1/2 x 1	11-1/8	16	591	887	53
12	12.750	1/4 x 5	8-5/8 x 8-1/4	1/2 x 1-1/16	8-5/8	16-3/4	558	837	45
12	12.750	1/4 x 7	8-5/8 x 10-3/4	1/2 x 1-1/16	11-1/8	16-3/4	558	837	56
12	12.750	3/8 x 7	8-5/8 x 10-3/4	1/2 x 1-3/16	11-1/8	16-3/4	691	1036	65
14	14.000	1/4 x 7	8-5/8 x 10-3/4	1/2 x 1-1/16	11-1/8	18	510	765	60
14	14.000	3/8 x 7	8-5/8 x 10-3/4	1/2 x 1-3/16	11-1/8	18	633	949	72
16	16.000	1/4 x 7	10-5/8 x 10-3/4	1/2 x 1-1/16	11-1/8	20	449	673	70
16	16.000	3/8 x 7	10-5/8 x 10-3/4	1/2 x 1-3/16	11-1/8	20	557	835	82
18	18.000	1/4 x 7	10-5/8 x 10-3/4	1/2 x 1-1/16	11-1/8	22	401	602	75
18	18.000	3/8 x 7	10-5/8 x 10-3/4	1/2 x 1-3/16	11-1/8	22	498	747	88
20	20.000	1/4 x 7	12-5/8 x 10-3/4	1/2 x 1-1/16	11-1/8	24-1/16	362	543	86
20	20.000	3/8 x 7	12-5/8 x 10-3/4	1/2 x 1-3/16	11-1/8	24-1/16	450	675	90
22	22.000	1/4 x 7	14-5/8 x 10-3/4	1/2 x 1-1/16	11-1/8	26	330	495	98
22	22.000	3/8 x 7	14-5/8 x 10-3/4	1/2 x 1-3/16	11-1/8	26	411	616	108
24	24.000	1/4 x 7	14-5/8 x 10-3/4	1/2 x 1-1/16	11-1/8	28	304	456	105
24	24.000	3/8 x 7	14-5/8 x 10-3/4	1/2 x 1-3/16	11-1/8	28	378	567	120
30	30.000	1/4 x 7	16-5/8 x 10-3/4	1/2 x 1-1/16	11-1/8	34	243	364	120
30	30.000	3/8 x 7	16-5/8 x 10-3/4	1/2 x 1-3/16	11-1/8	34	303	454	153
30	30.500	1/4 x 7	16-5/8 x 10-3/4	1/2 x 1-1/16	11-1/8	34-1/2	240	360	125
30	30.750	3/8 x 7	16-5/8 x 10-3/4	1/2 x 1-3/16	11-1/8	34-3/4	295	442	158
36	36.000	3/8 x 7	18-5/8 x 10-3/4	1/2 x 1-1/16	11-1/8	34	253	379	181
36	36.750	3/8 x 7	18-5/8 x 10-3/4	1/2 x 1-3/16	11-1/8	41-3/4	298	447	227
42	42.000	1/2 x 10	20-5/8 x 15	1/2 x 1-1/16	15-3/8	47	346	519	351
48	48.000	1/2 x 10	22-5/8 x 15	1/2 x 1-3/16	15-3/8	53	304	456	399

**Light Pattern Coupling



GE Oil & Gas
 Dresser** Pipeline Solutions
 41 Fisher Avenue
 Bradford, PA 16701
 p: 814.362.9200
 f: 814.362.9393

2014 General Electric Company
 All Rights Reserved
 **Trademark of General Electric Company