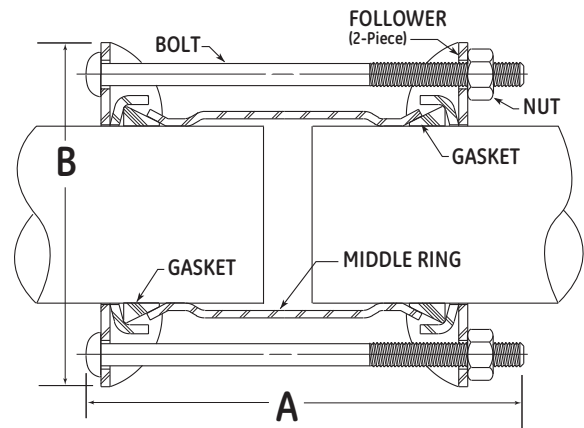


PRODUCT SUBMITTAL

DRESSER* Style 38 Couplings
For Cast Iron and Ductile Iron Pipe



2-PIECE FOLLOWER DESIGN

Materials of Construction

- Followers: AISI C1012 or ASME SA36
(Ductile Iron or Malleable Iron for 1/2" thru 1-1/2")
- Middle Ring: ASTM A513, ASTM A635 or ASME SA675 GR60
- Bolts: AWWA C 111/ANSI A21.11
- Gaskets: Grade 27 BUNA-S as Standard
- Coating: Fusion-Bonded Epoxy; Optional RED-D Shopcoat

Style 38 Coupling Specifications For Cast/Ductile Pipe Sizes 2" thru 24"

Pipe Nominal Size (IN)	Outside Pipe Diameter (OD)	Middle Ring Thickness & Length (IN)	Bolts No./Diam. x Length (IN)	Overall Dimensions		Working Pressure Lbs. per Sq.In.	Approx. Shipping Weight (lbs.)
				Length (A)	Diameter (B)		
2	2.50	.188 x 5	3-5/8 x 8-1/4	8-5/8	6-1/2	1500	10
3	3.80	.188 x 5	4-5/8 x 8-1/4	8-5/8	8	1226	14
4	4.80	.299 x 5	4-5/8 x 8-1/4	8-5/8	9	1100	15
6	6.90	1/4 x 5	5-5/8 x 8-1/4	8-5/8	11	992	21
8	9.05	1/4 x 5	6-5/8 x 8-1/4	8-5/8	13-1/16	772	31
10	11.10	3/8 x 7	7-5/8 x 10-3/4	11-1/8	16	936	47
12	13.20	3/8 x 7	8-5/8 x 10-3/4	11-1/8	18-1/16	794	54
14	15.30	3/8 x 7	10-5/8 x 10-3/4	11-1/8	19-5/16	575	74
16	17.40	3/8 x 7	10-5/8 x 10-3/4	11-1/8	20-5/8	509	88
16	17.80	3/8 x 7	10-5/8 x 10-3/4	11-1/8	22-31/16	498	111
18	19.50	3/8 x 7	12-5/8 x 10-3/4	11-1/8	23-1/2	450	105
18	19.92	3/8 x 7	12-5/8 x 10-3/4	11-1/8	24-15/16	448	124
20	21.60	3/8 x 7	12-5/8 x 10-3/4	11-1/8	25-5/8	411	114
20	22.06	3/8 x 7	14-5/8 x 10-3/4	11-1/8	27-1/16	406	141
24	25.80	3/8 x 7	15-5/8 x 10-3/4	11-1/8	29-3/16	349	134
24	26.32	3/8 x 7	15-5/8 x 10-3/4	11-1/8	31-5/16	343	163

CONSULT FACTORY FOR ALTERNATIVE GASKETS AND PART NUMBERS



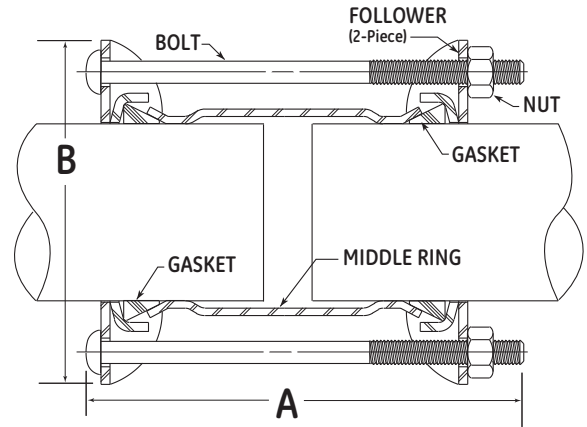
imagination at work

GE Oil & Gas
Dresser* Pipeline Solutions
41 Fisher Avenue
Bradford, PA 16701
p: +1 814.362.9200
f: +1 814.362.9393

2014 General Electric Company
All Rights Reserved
*Trademark of General Electric Company

PRODUCT SUBMITTAL

DRESSER* Style 40 and 138 Couplings
For Cast Iron and Ductile Iron Pipe



2-PIECE FOLLOWER DESIGN

Materials of Construction

Followers: AISI C1012 or ASME SA36
(Ductile Iron or Malleable Iron for 1/2" thru 1-1/2")
Middle Ring: ASTM A513, ASTM A635 or ASME SA675 GR60
Bolts: AWWA C 111/ANSI A21.11
Gaskets: Grade 27 BUNA-S as Standard
Coating: Fusion-Bonded Epoxy; Optional RED-D Shopcoat

Style 40 Long-Body Couplings For Cast/Ductile Pipe Sizes 2" thru 24"

Pipe Nominal Size (IN)	Outside Pipe Diameter (OD)	Middle Ring Thickness & Length (IN)	Bolts No./Diam. x Length (IN)	Overall Dimensions		Working Pressure Lbs. per Sq.In.	Approx. Shipping Weight (lbs.)
				Length (A)	Diameter (B)		
2	2.50	.188 x 12	3-5/8 x 15	15.5	6-1/2	1302	17
3	3.74 - 4.02	.188 x 12	4-5/8 x 15	15.5	7-3/4	939	24
4	4.74 - 5.06	.299 x 12	4-5/8 x 15	15.5	9	250	29
6	6.84 - 7.16	1/4 x 16	6-5/8 x 19-1/2	20	11	250	63
8	8.99 - 9.36	1/4 x 16	6-5/8 x 19-1/2	20	13-1/16	250	80
10	11.04 - 11.76	3/8 x 16	8-5/8 x 19-1/2	20	15-13/16	250	112
12	13.14 - 13.56	3/8 x 16	8-5/8 x 19-1/2	20	18-1/16	250	135
14	15.30	3/8 x 16	10-5/8 x 19-1/2	20	19-5/16	675	155
16	17.40	3/8 x 16	10-5/8 x 19-1/2	20	20-5/8	587	164
18	19.50	3/8 x 16	12-5/8 x 19-1/2	20	23-1/2	539	203
20	21.60	3/8 x 16	12-5/8 x 19-1/2	20	25-5/8	490	226

Style 138 Coupling - For Cast/Ductile Pipe Range Sizes 3" thru 12"

3	3.74 - 4.02	.188 x 5	4-5/8 x 8-1/4	8-5/8	7-3/4	250	15
4	4.74 - 5.06	.299 x 5	4-5/8 x 8-1/4	8-3/4	8-3/16	250	25
4	4.74 - 5.06	.299 x 7	4-5/8 x 10-3/4	11-1/8	8-3/16	250	28
6	6.84 - 7.16	1/4 x 5	6-5/8 x 8-1/4	8-5/8	11-3/16	250	26
6	6.84 - 7.16	1/4 x 7	6-5/8 x 10-3/4	11-1/8	11-3/16	250	33
8	8.99 - 9.36	1/4 x 5	6-5/8 x 8-1/4	8-5/8	13-5/16	250	40
8	8.99 - 9.36	1/4 x 7	6-5/8 x 10-3/4	11-1/8	13-5/16	250	43
10	11.04 - 11.76	3/8 x 7	8-5/8 x 10-3/4	11-1/8	15-3/4	250	55
12	13.14 - 13.56	3/8 x 7	8-5/8 x 10-3/4	11-1/8	17-3/4	250	65



imagination at work

GE Oil & Gas
Dresser* Pipeline Solutions
41 Fisher Avenue
Bradford, PA 16701
p: +1 814.362.9200
f: +1 814.362.9393

2014 General Electric Company
All Rights Reserved
*Trademark of General Electric Company

FORM GE.40.138.CIP.2014