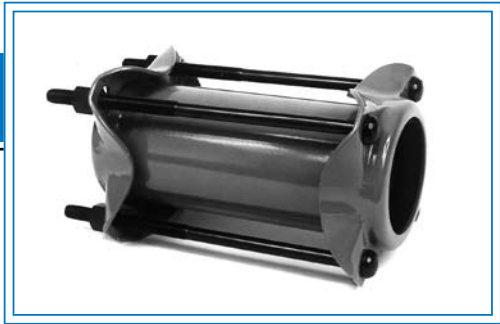


Style 40 Long Couplings



For widely separated pipe ends

Dresser Style 40 Long Couplings provide a simple and effective method of joining pipe when gaps in pipe ends are wider than ordinary. Style 40 long body couplings are similar in construction to Style 38 couplings, except that middle rings are longer and have a larger belly diameter. Though longer, they absorb the same amount of expansion and contraction as the Style 38 coupling, up to 3/8" per joint.

Materials of Construction

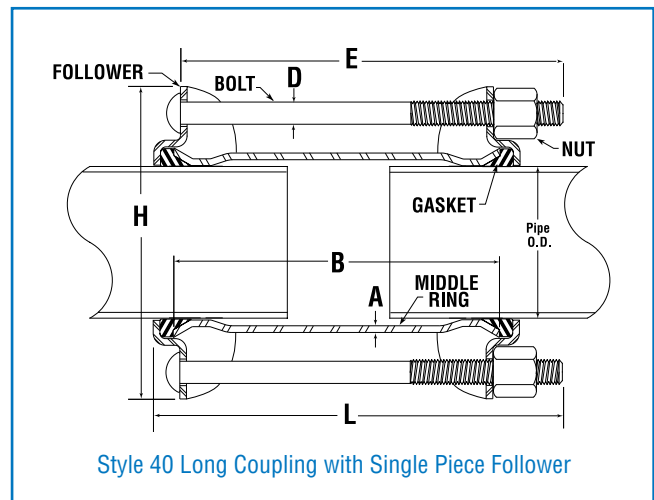
Followers: AISI C1012 or ASME SA36

(Ductile Iron or Malleable Iron for 1/2" thru 1-1/2")

Middle Ring: ASTM A513, ASTM A635 or ASME SA675 GR60

Bolts: ANSI A21.11

Gasket: Grade 27 BUNA S (Armored/Pinned)



Style 40 Long Couplings* Sizes and Specifications for Steel Pipe

Pipe Nominal Size (In)	Outside Pipe Diameter (OD)	Middle Ring Thickness & Length ¹ (A&B)	Bolts ² No./Diam. x Length (D&E)	Approx. Dimensions		Working Pressure ⁴ Lbs. per Sq.in.	Approx. Shipping Weight (Lbs.)
				Diam. (H)	Length ³ (L)		
1/2	.840	.156 x 12	2-1/2 x 14	3-1/2	15-5/8	150	4
3/4	1.050	.156 x 12	2-1/2 x 14	3-13/16	15-5/8	150	5
1	1.315	.148 x 12	2-1/2 x 14	4-1/16	15-5/8	150	6
1-1/4	1.660	.154 x 12	2-1/2 x 14	4-7/16	15-5/8	150	6
1-1/2	1.900	.165 x 12	2-1/2 x 14	4-3/4	15-5/8	150	7
2	2.375	.156 x 12	3-5/8 x 15	6-1/4	17	150	15
2	2.375	.156 x 24	3-5/8 x 28	6-1/4	29	150	33
2-1/2	2.875	.180 x 12	3-5/8 x 15	7	17	350	12
2-1/2	2.875	.180 x 24	3-5/8 x 28	7	29	350	20
3	3.500	.156 x 12	4-5/8 x 12-3/4	8	15	350	23
3	3.500	.156 x 24	4-5/8 x 28	8	29	350	40
3-1/2	4.000	.188 x 12	4-5/8 x 12-3/4	8-5/8	15	350	25
4	4.500	.188 x 12	4-5/8 x 12-3/4	9	15	350	28
4	4.500	.188 x 24	4-5/8 x 28	9	29	350	44
4-1/2	5.000	.229 x 12	4-5/8 x 12-3/4	9	15	400	30
5-3/16 CAS	5.500	.280 x 16	4-5/8 x 19-1/2	9	21	400	42
5	5.563	.280 x 16	4-5/8 x 19-1/2	10-3/8	21	400	51
5-5/8 CAS	6.000	.280 x 16	6-5/8 x 19-1/2	10-3/8	21	935	66
6	6.625	1/4 x 16	6-5/8 x 19-1/2	11-1/4	21	900	54
6	6.625	1/4 x 24	6-5/8 x 28	11-1/4	29	900	60
6-5/8 CAS	7.000	1/4 x 16	6-5/8 x 19-1/2	11-3/4	21	900	54

Style 40 Specifications for Steel Pipe continue on Page 12

*NOTE: Larger sizes and special length bodies are available. Long couplings for CIP are available on request.

Style 40 Long Body Couplings Sizes and Specifications for Steel Pipe (cont'd)

Pipe Nominal Size (In)	Outside Pipe Diameter (OD)	Middle Ring Thickness & Length ¹ (A&B)	Bolts ² No./Diam. x Length (D&E)	Approx. Dimensions		Working Pressure ⁴ Lbs. per Sq.In.	Approx. Shipping Weight (Lbs.)
				Diam. (H)	Length ³ (L)		
7-5/8	8.000	1/4 x 16	6-5/8 x 19-1/2	13-1/4	21	750	60
8	8.625	1/4 x 16	6-5/8 x 19-1/2	13-1/4	21	750	63
8	8.625	1/4 x 24	6-5/8 x 28	13-7/8	29	750	85
10	10.750	1/4 x 24	8-5/8 x 28	14-5/8	29	600	109
10	10.750	1/4 x 16	8-5/8 x 19-1/2	14-5/8	21	600	81
11-5/8	12.000	1/4 x 16	8-5/8 x 19-1/2	16	21	550	87
12	12.750	1/4 x 16	8-5/8 x 19-1/2	16-3/4	21-3/4	550	119
12	12.750	3/8 x 24	8-5/8 x 28	17-1/8	29-3/4	550	165
14	14.000	1/4 x 16	8-5/8 x 19-1/2	18	21-3/4	550	130
16	16.000	1/4 x 16	10-5/8 x 19-1/2	21	21-3/4	450	148
	16.000	3/8 x 24	10-5/8 x 28	21	29-3/4	450	200
18	18.000	1/4 x 16	10-5/8 x 19-1/2	22	21-3/4	400	175
	18.000	3/8 x 24	10-5/8 x 28	23	29-3/4	400	235
20	20.000	1/4 x 16	12-5/8 x 19-1/2	24	21-3/4	300	201
	20.000	3/8 x 24	12-5/8 x 28	25	29-3/4	300	269
22	22.000	1/4 x 16	14-5/8 x 19-1/2	26	22-3/4	300	224
	22.000	3/8 x 24	14-5/8 x 28	27	30-3/4	300	299
24	24.000	1/4 x 16	14-5/8 x 19-1/2	28	22-3/4	300	240
	24.000	3/8 x 24	14-5/8 x 28	29	30-3/4	300	325

STAB-40 Long Couplings Sizes & Specifications for Steel Pipe

Pipe Nominal Size (In)	Outside Pipe Diameter (OD)	Middle Ring Thickness & Length ¹ (A&B)	Bolts ² No./Diam. x Length (D&E)	Approx. Dimensions		Working Pressure ⁴ Lbs. per Sq.In.	Approx. Shipping Weight (Lbs.)
				Diam. (H)	Length ³ (L)		
2	2.375	.156 x 12	3-1/2 x 15	6-1/4	17	150	15
2	2.375	.156 x 24	3-1/2 x 28	6-1/4	29	150	33
3	3.500	.156 x 12	4-5/8 x 12-3/4	8	15	350	23
3	3.500	.156 x 24	4-5/8 x 28	8	29	350	40
4	4.500	.188 x 12	4-5/8 x 12-3/4	9	15	350	28
4	4.500	.188 x 24	4-5/8 x 28	9	29	350	44
6	6.625	1/4 x 16	6-5/8 x 19-1/2	11-1/4	21	900	54
6	6.625	1/4 x 24	6-5/8 x 28	11-1/4	29	900	60
8	8.625	1/4 x 16	6-5/8 x 19-1/2	13-1/4	21	769	63
8	8.625	1/4 x 24	6-5/8 x 28	13-7/8	29	769	85
10	10.750	1/4 x 24	8-5/8 x 28	14-5/8	29	632	109
10	10.750	1/4 x 16	8-5/8 x 19-1/2	14-5/8	21	632	81
12	12.750	1/4 x 16	8-5/8 x 19-1/2	16-3/4	21-3/4	520	119

1- Middle Rings - Thicker or longer than those listed can be furnished. Please specify if pipe stop is required (supplied at no extra charge).

2- Bolts - Furnished E-coated steel as standard.

3- Dimension "L" - Overall length taken with fasteners drawn up finger tight.

4- Working Pressure - Pressure ratings are determined on the basis of Barlow's formula using a working stress equal to one half the minimum yield of the middle ring material.